

SKAGIT RIVER WOODS

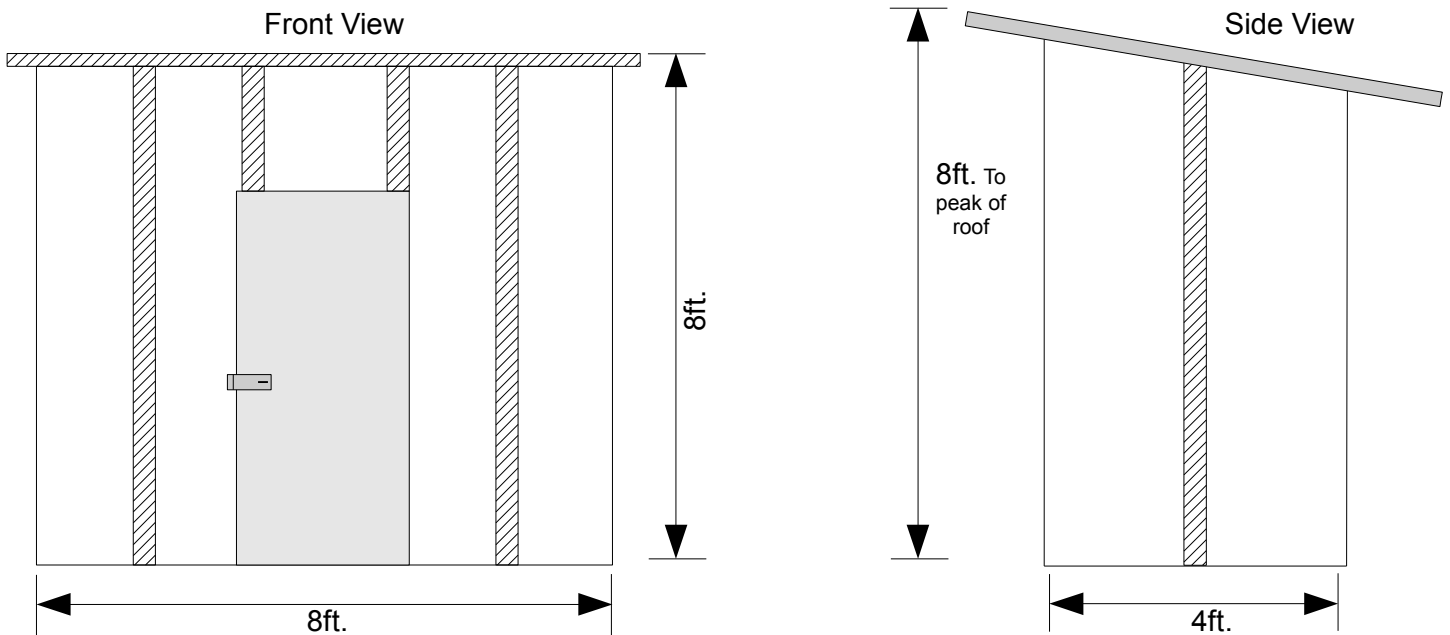
SHED CONSTRUCTION REQUIREMENTS

SRW Bylaw Article 10 Section 7: Permanent structures are prohibited except storage boxes, which shall be built no larger than 4ft deep x 8ft wide x 8ft high, and woodsheds, which shall be built no larger than 4ft deep x 8ft wide x 8ft high. Storage boxes and woodsheds shall be built of wood to the prescribed specifications approved by the Board of Directors or Manager, or purchased from the club. Wooden patio decks of approved design by the Board of Directors or Manager shall be allowed, but must not exceed moveable size. Construction of any structure shall be pre-approved by the Board of Directors or Caretaker/Manager prior to any construction starting.

Decks must be made of wood and be of reasonable movable size. Max size 8ft x 16ft

You must submit a "Request for Campsite Construction" form with a drawing of your plan to the Caretaker/Manager for approval prior to starting a project.

Storage Shed



Wood Shed

